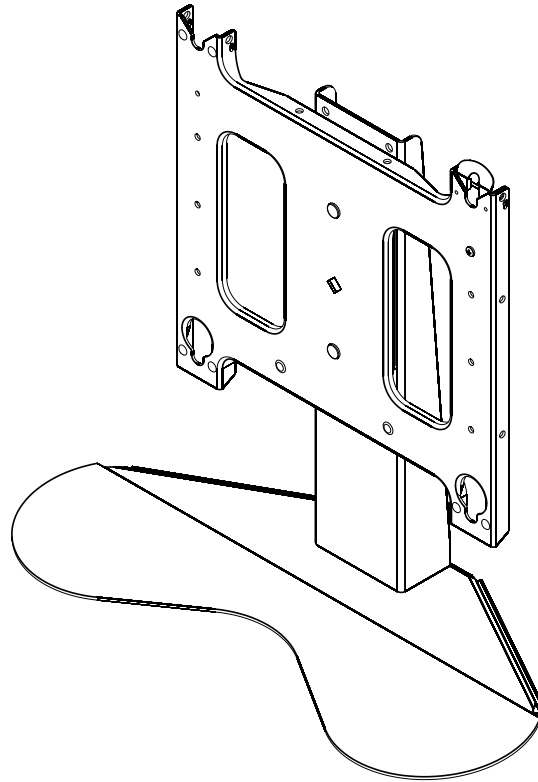

INSTALLATION INSTRUCTIONS



Large Flat Panel Display Table Stand

DISCLAIMER

CSAV, Inc., and its affiliated corporations and subsidiaries (collectively, "CSAV"), intend to make this manual accurate and complete. However, CSAV makes no claim that the information contained herein covers all details, conditions or variations, nor does it provide for every possible contingency in connection with the installation or use of this product. The information contained in this document is subject to change without notice or obligation of any kind. CSAV makes no representation of warranty, expressed or implied, regarding the information contained herein. CSAV assumes no responsibility for accuracy, completeness or sufficiency of the information contained in this document.

! IMPORTANT WARNINGS AND CAUTIONS!

! WARNING: A WARNING alerts you to the possibility of serious injury or death if you do not follow the instructions.

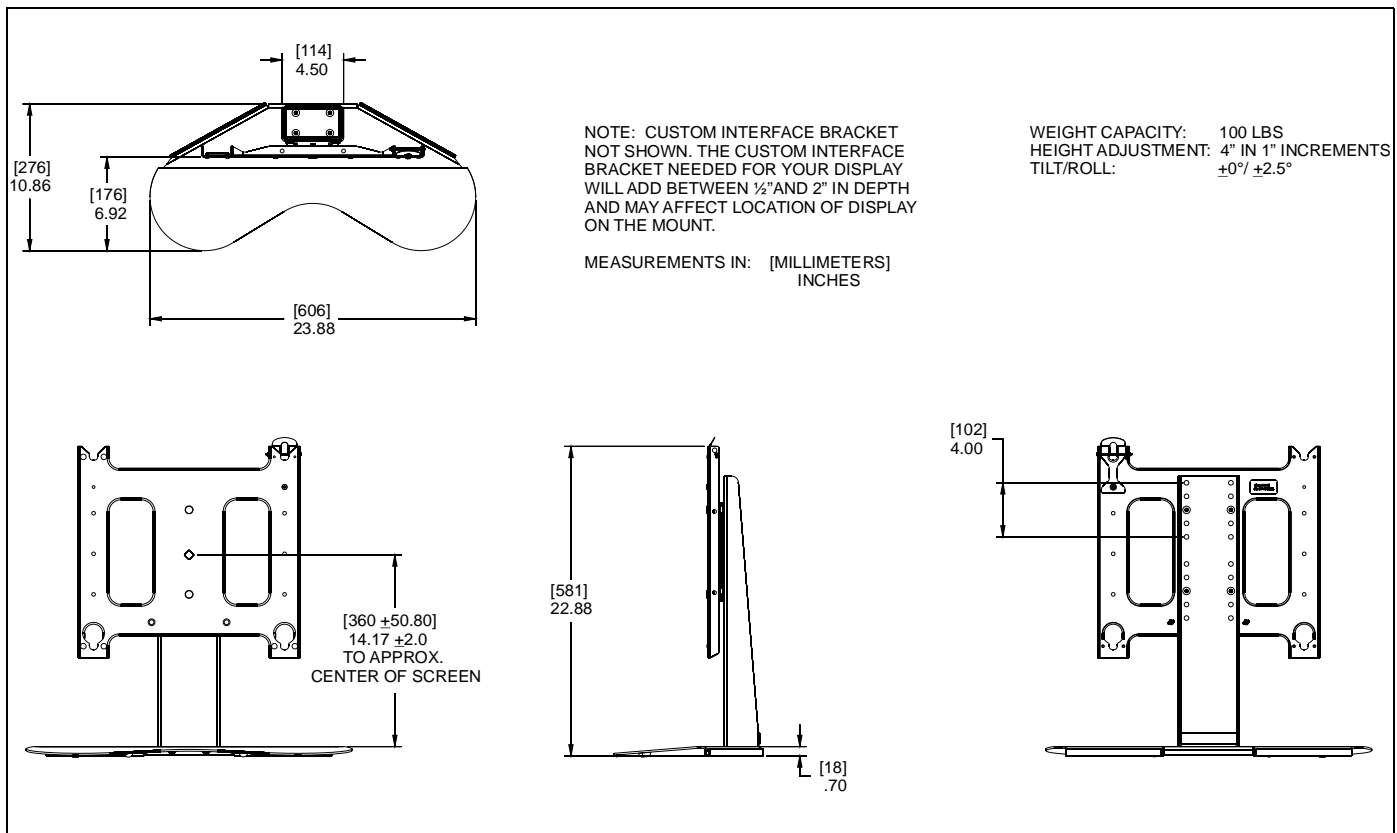
! CAUTION: A CAUTION alerts you to the possibility of damage or destruction of equipment if you do not follow the corresponding instructions.

! WARNING: Failure to read, thoroughly understand, and follow all instructions can result in serious personal injury, damage to equipment, or voiding of factory warranty! It is the installer's responsibility to make sure all components are properly assembled and installed using the instructions provided.

! WARNING: Failure to provide adequate structural strength for this component can result in serious personal injury or damage to equipment! It is the installer's responsibility to make sure the structure to which this component is attached can support five times the combined weight of all equipment. Reinforce the structure as required before installing the component.

! WARNING: Exceeding the weight capacity can result in serious personal injury or damage to equipment! It is the installer's responsibility to make sure the combined weight of all components located between the supporting structure and mount up to (and including) the display does not exceed 100 lbs (45.36 kg).

DIMENSIONS



LEGEND

| | |
|--|------------------------------|
| | Tighten Fastener |
| | Apretar elemento de fijación |
| | Befestigungsteil festziehen |
| | Apertar fixador |
| | Serrare il fissaggio |
| | Bevestiging vastdraaien |
| | Serrez les fixations |

| | |
|--|------------------------------|
| | Loosen Fastener |
| | Aflojar elemento de fijación |
| | Befestigungsteil lösen |
| | Desapertar fixador |
| | Allentare il fissaggio |
| | Bevestiging losdraaien |
| | Desserrez les fixations |

| | |
|--|-------------------------------|
| | Phillips Screwdriver |
| | Destornillador Phillips |
| | Kreuzschlitzschraubendreher |
| | Chave de fendas Phillips |
| | Cacciavite a stella |
| | Kruiskopschroevendraaier |
| | Tournevis à pointe cruciforme |

| | |
|--|--------------------------|
| | Open-Ended Wrench |
| | Llave de boca |
| | Gabelschlüssel |
| | Chave de bocas |
| | Chiave a punte aperte |
| | Steeksleutel |
| | Clé à fourche |

| | |
|--|----------------|
| | By Hand |
| | A mano |
| | Von Hand |
| | Com a mão |
| | A mano |
| | Met de hand |
| | À la main |

| | |
|--|---------------------------|
| | Hex-Head Wrench |
| | Llave de cabeza hexagonal |
| | Sechskantschlüssel |
| | Chave de cabeça sextavada |
| | Chiave esagonale |
| | Zeskantsleutel |
| | Clé à tête hexagonale |

| | |
|--|--------------------|
| | Pencil Mark |
| | Marcar con lápiz |
| | Stiftmarkierung |
| | Marcar com lápis |
| | Segno a matita |
| | Potloodmerkteken |
| | Marquage au crayon |

| | |
|--|-------------------|
| | Drill Hole |
| | Perforar |
| | Bohrloch |
| | Fazer furo |
| | Praticare un foro |
| | Gat boren |
| | Percez un trou |

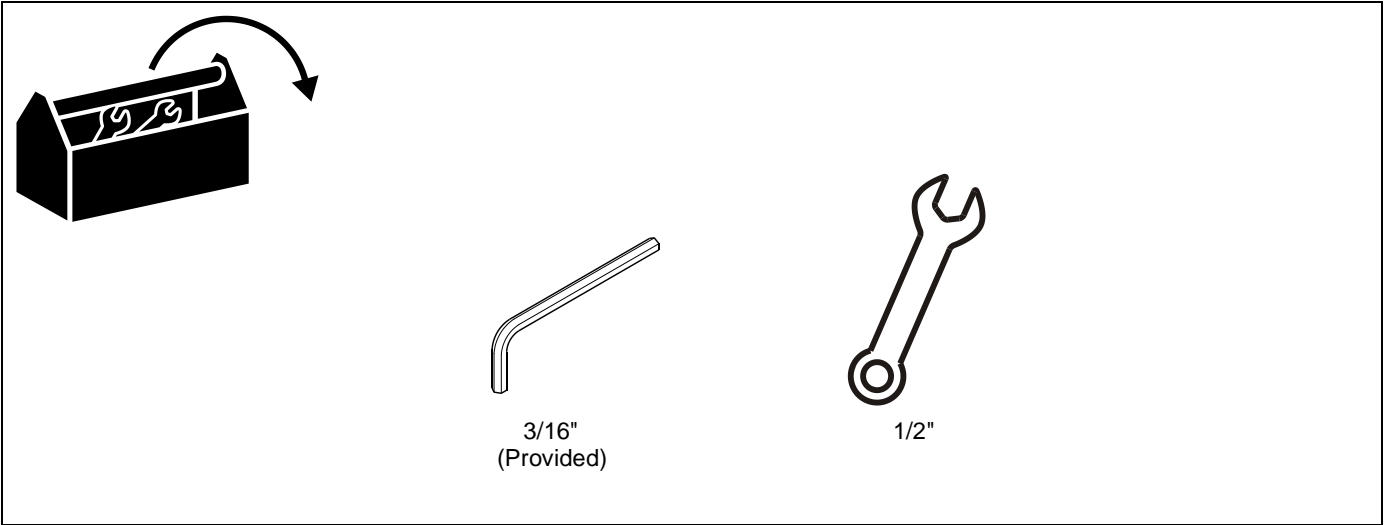
| | |
|--|---------------|
| | Adjust |
| | Ajustar |
| | Einstellen |
| | Ajustar |
| | Regolare |
| | Afstellen |
| | Ajuster |

| | |
|--|---------------|
| | Remove |
| | Quitar |
| | Entfernen |
| | Remover |
| | Rimuovere |
| | Verwijderen |
| | Retirez |

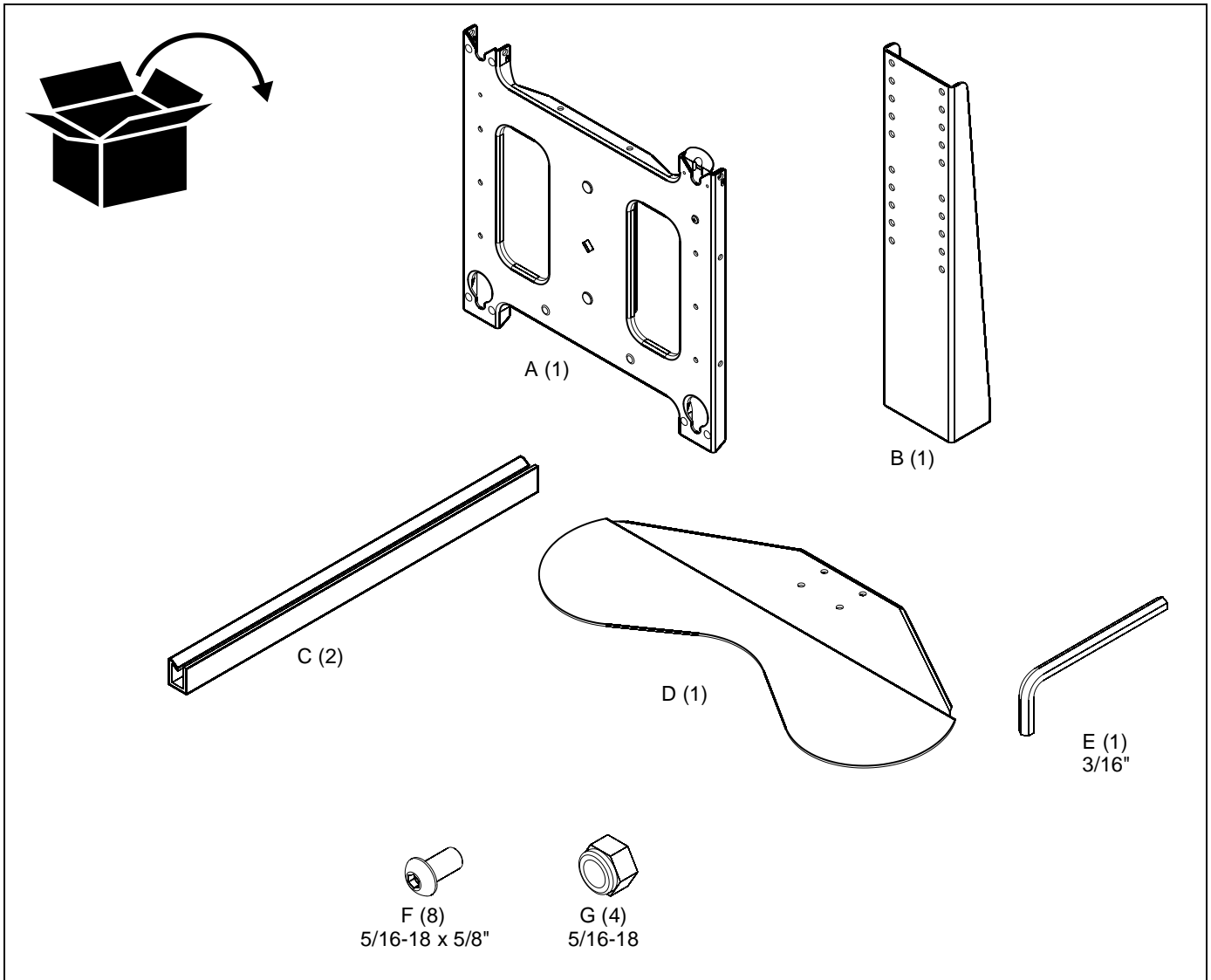
| | |
|--|-----------------|
| | Optional |
| | Opcional |
| | Optional |
| | Opcional |
| | Opzionale |
| | Optie |
| | En option |

| | |
|--|------------------------|
| | Security Wrench |
| | Llave de seguridad |
| | Sicherheitsschlüssel |
| | Chave de segurança |
| | Chiave di sicurezza |
| | Veiligheidssleutel |
| | Clé de sécurité |

TOOLS REQUIRED FOR INSTALLATION



PARTS



ASSEMBLY AND INSTALLATION



WARNING: FAILURE TO PROVIDE ADEQUATE STRUCTURAL STRENGTH FOR THIS COMPONENT CAN RESULT IN SERIOUS PERSONAL INJURY OR DAMAGE TO EQUIPMENT! It is the installer's responsibility to make sure the structure to which this component is attached can support five times the combined weight of all equipment. Reinforce the structure as required before installing the component.

Attaching Post Assembly to Base Assembly

- Using four 5/16-18 x 5/8" button head cap screws (F) and four 5/16-18 Nylock nuts (G), secure post assembly (B) to base assembly (D). (See Figure 1)

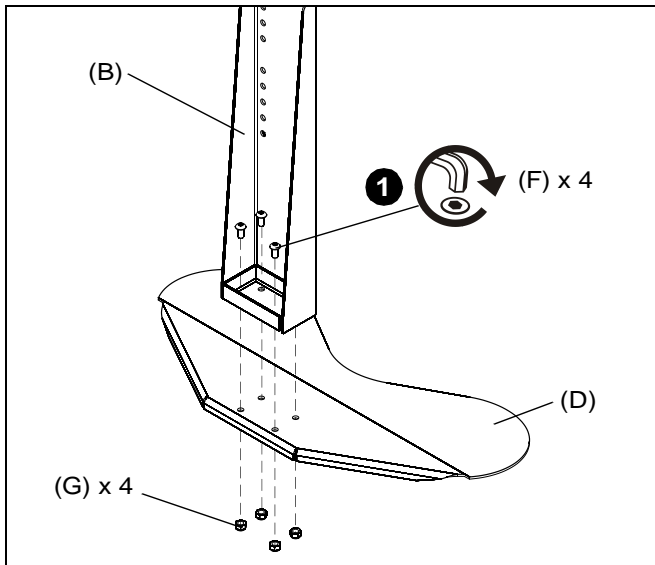


Figure 1

- Attach edge trim pieces (C) to the base assembly (D). See Figure 2.

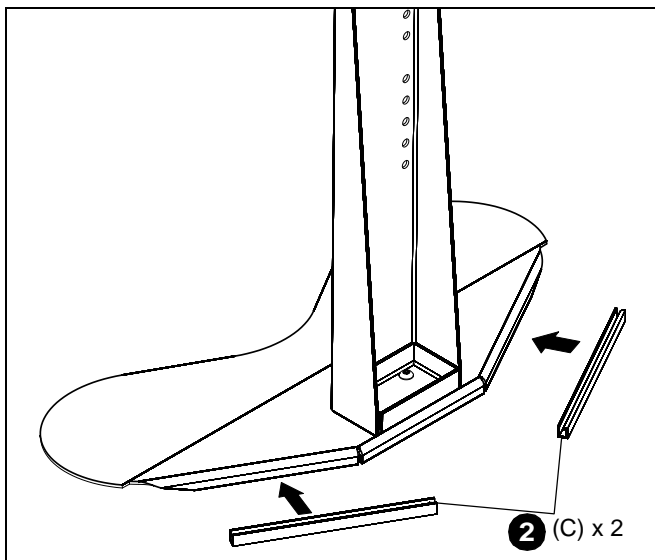


Figure 2

Attaching Faceplate Assembly

- Align mounting holes in faceplate assembly (A) with holes in post assembly (B). (See Figure 3)

NOTE: The faceplate assembly can be placed within a four inch range on the post assembly, dependent on size of display.

- Attach faceplate assembly to post assembly using four 5/16-18 x 5/8" button head cap screws (F). (See Figure 3)

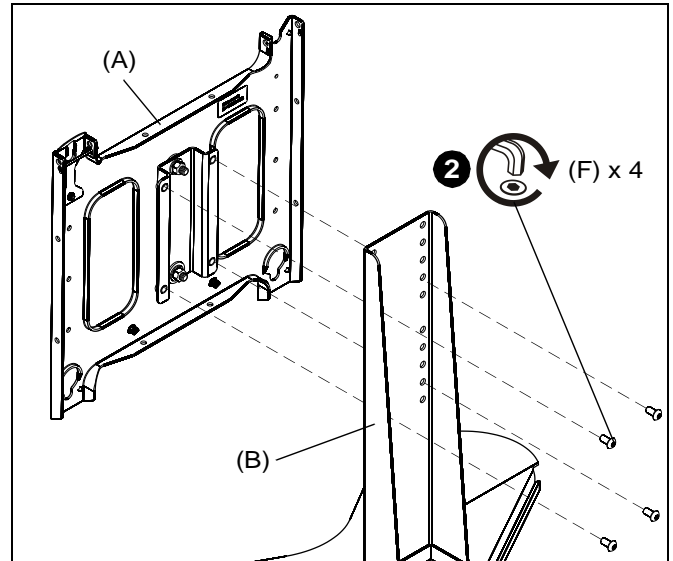


Figure 3

Attaching Interface Bracket to Display

- Attach interface bracket to display following instructions included with interface bracket kit.

Attaching Display to Mount

- While supporting both sides of display, align four mounting buttons on display or interface bracket with four mounting holes in mount. (See Figures 4 and 5)

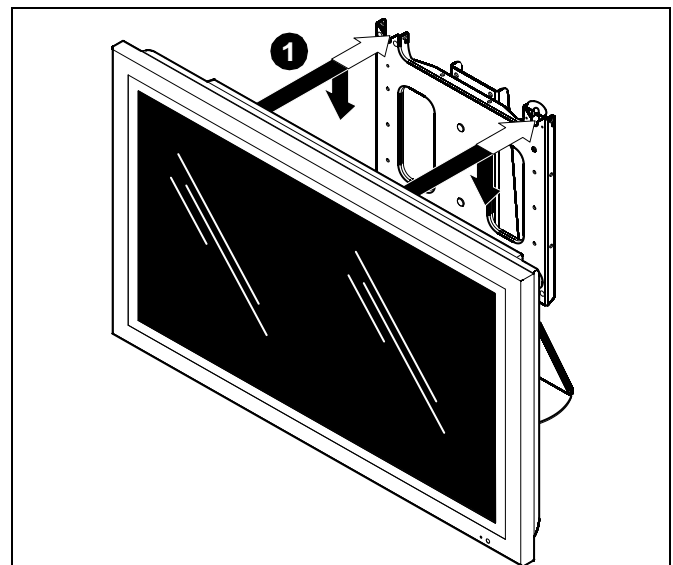


Figure 4

⚠ WARNING: DISPLAY MAY WEIGH IN EXCESS OF 40 LBS! Always use two people and proper lifting techniques when installing or positioning display on mount.

2. Lower display into place listening for audible "click" to ensure recessed area of mounting buttons are properly seated in lower area of mounting holes. (See Fig. 4 and 5)

⚠ WARNING: IMPROPER INSTALLATION CAN LEAD TO DISPLAY FALLING CAUSING SERIOUS PERSONAL INJURY OR DAMAGE TO EQUIPMENT! Ensure mounting buttons are completely engaged in mounting holes.

NOTE: Holes are provided in the faceplate for use with a padlock or similar locking device, if desired. In addition, the pin and nut may be removed from the upper holes and moved to the lower holes for use as a more permanent locking device. (See Figure 5).

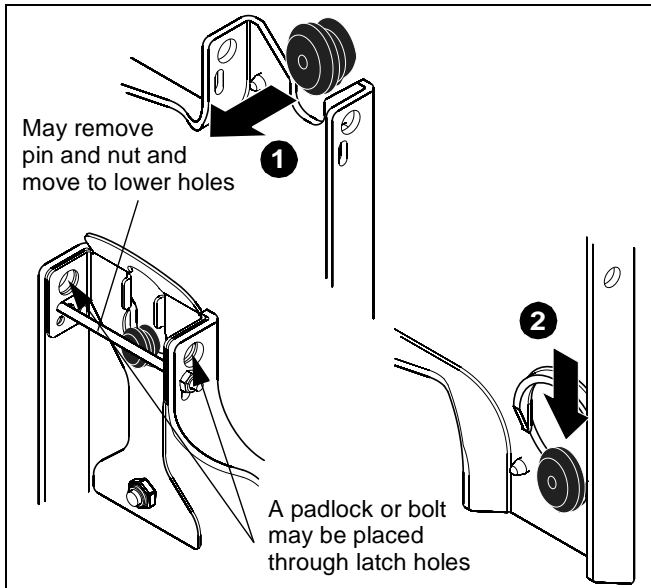


Figure 5

Removing Display

1. Disconnect all power/audio/video cables.
2. Remove bolt or padlock from faceplate (if used). (See Figure 6)

NOTE: The pin may have been used as a more permanent locking device. If so, remove nut and pin and move from the lower holes to the upper holes.

3. Pull back on flag on upper mounting hole and press pin down into "Open" position. (See Figure 6)

⚠ WARNING: THE DISPLAY MAY WEIGH IN EXCESS OF 40 LBS EACH! Always use two people and proper lifting techniques when installing or positioning display.

4. Carefully lift display from mount.
5. Lift up on pin and place flag back against faceplate to return it to "Closed" position. (See Figure 6)

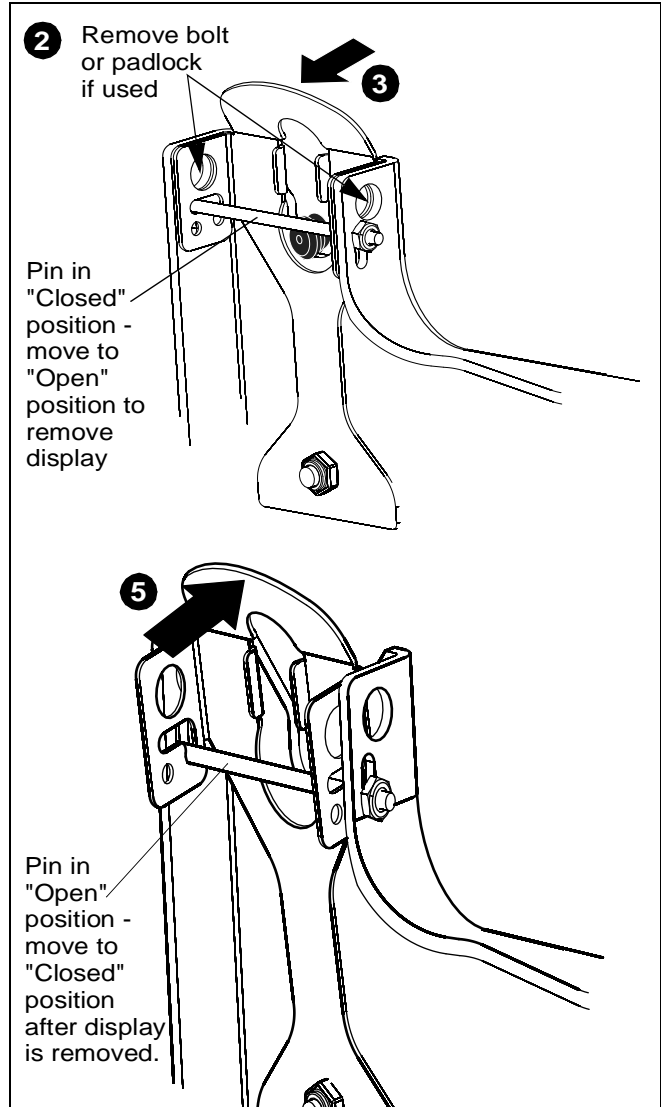


Figure 6

Adjusting Roll Tension

The faceplate provides 2° roll adjustment. (See Figure 7) Roll adjustment is accomplished by shifting the faceplate right or left as needed until the faceplate is level.

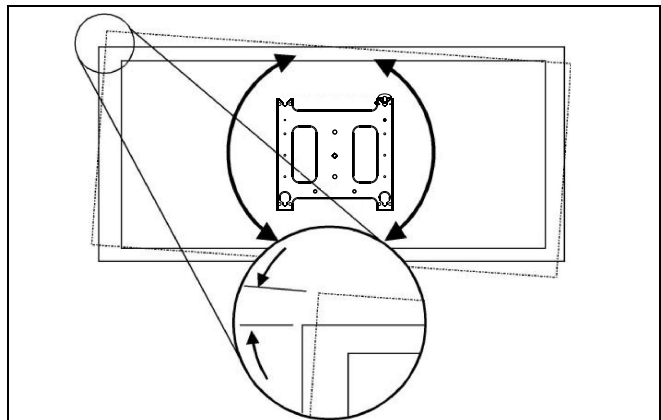


Figure 7

NOTE: Roll tension is preset. If the display does not remain in the desired position, perform the following roll tension adjustment procedure.

1. Remove display following the **Removing Display** section.
2. Remove four 5/16-18 x 5/8" button head cap screws from back of post assembly (inserted in Step 2 of **Attaching Faceplate Assembly** section).
3. Locate roll tension adjustment nut on back of faceplate. (See Figure 8)

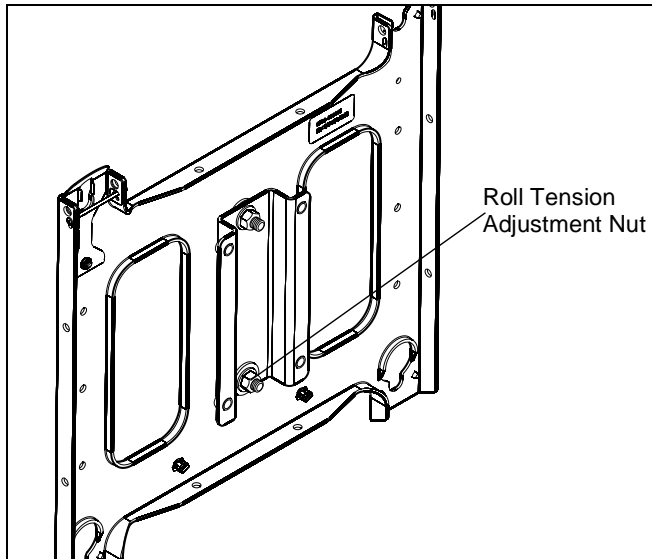


Figure 8

4. Partially loosen or tighten the roll tension adjustment nut as needed.
5. Re-install the faceplate assembly onto the post assembly following instructions in **Attaching Faceplate Assembly** section.
6. Re-mount the display following instructions in **Attaching Display to Mount** section.



8800-000016 Rev. F
©2007 Chief Manufacturing
www.chiefmfg.com
07/07

| | |
|--------------------------|---|
| USA/International | A 8401 Eagle Creek Parkway, Savage, MN 55378 P 800.582.6480 / 952.894.6280 F 877.894.6918 / 952.894.6918 |
| Europe | A Fellenoord 130 5611 ZB EINDHOVEN, The Netherlands P +31 (0)40 2668620 F +31 (0)40 2668615 |
| Asia Pacific | A Room 30I, Block D, Lily YinDu International Building LuoGang, BuJi Town, Shenzhen, CHINA. Post Code: 518112 深圳市布吉罗岗百合银都国际大厦D栋30I P +86-755-8996 9226 ; 8996 9236 ; 8996 9220 F +86-755-8996 9217 |